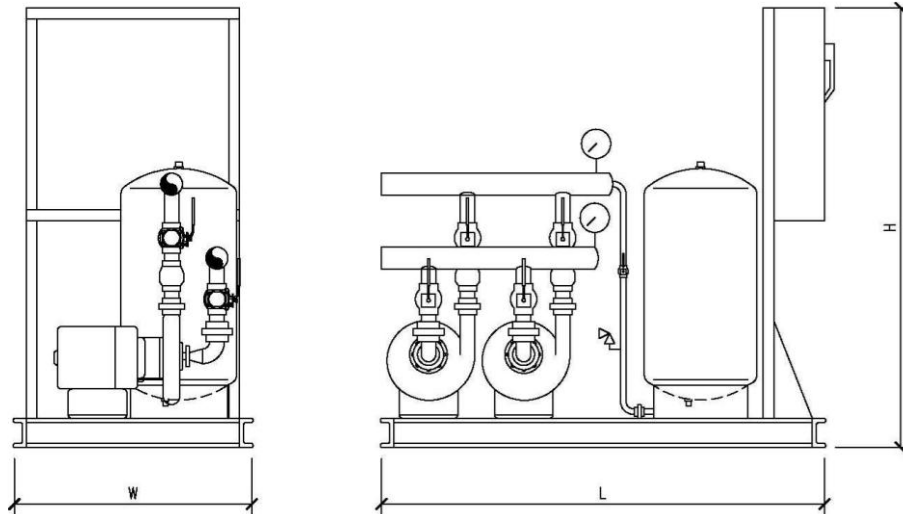


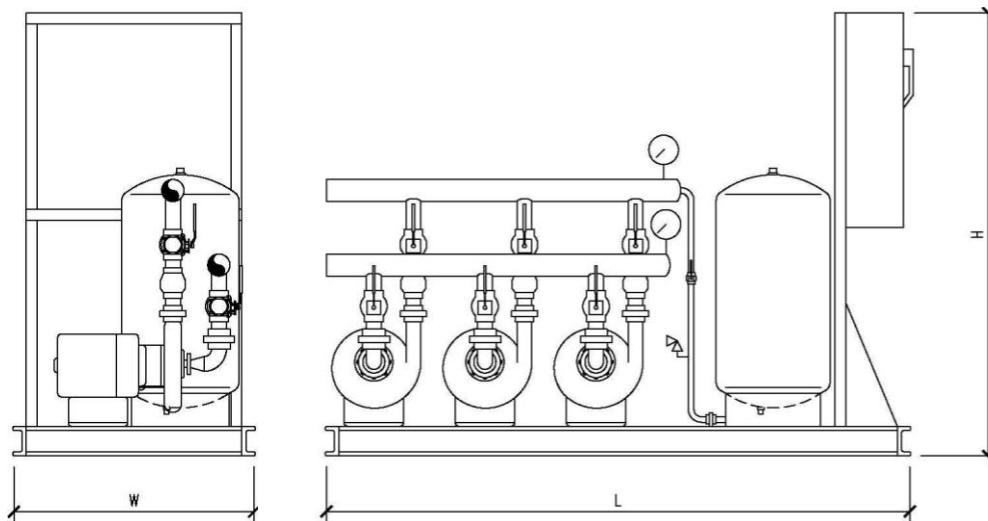
# WATER PRESSURE BOOSTER SYSTEMS

## SERIES WPB



**SYSTEM DIMENSIONS**

HP Per Pump	DUPLEX	
	L x W x H (inches)	Dry Wgt. (Lbs.)
1.5 - 7.5	72 x 34 x 60	1300
10 - 15	78 x 34 x 60	1450
20 - 30	84 x 40 x 60	1700



**SYSTEM DIMENSIONS**

HP Per Pump	TRIPLEX	
	L x W x H (inches)	Dry Wgt. (Lbs.)
1.5 - 7.5	90 x 34 x 60	1600
10 - 15	96 x 34 x 60	1900
20 - 30	108 x 40 x 60	2250