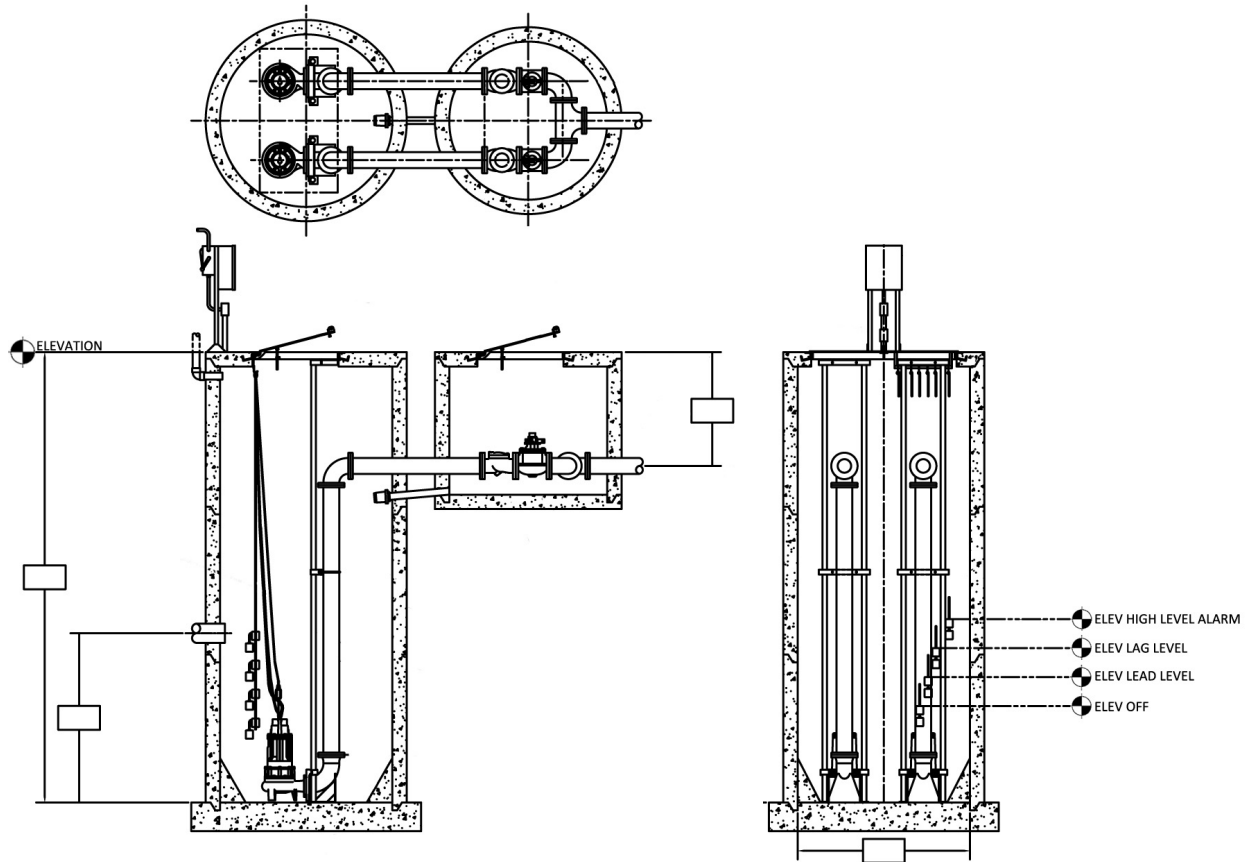


PACKAGED LIFT SYSTEM - CONCRETE

SUBMITTAL DATA



Packaged System Model Number: _____	
Pump Information	
Type: <input type="checkbox"/> Sump/Effluent <input type="checkbox"/> Grinder <input type="checkbox"/> Non-Clog	Motor: _____ HP _____ RPM
Pump Model Number: _____ Solids Size: _____	Elec: _____ Volts _____ HZ _____ PH
Capacity: _____ GPM _____ TDH	Elec: _____ FL. Amps
Discharge Piping Size and Type	<input type="checkbox"/> 1 ¼" <input type="checkbox"/> 1 ½" <input type="checkbox"/> 2" <input type="checkbox"/> 3" <input type="checkbox"/> 4" <input type="checkbox"/> 6" <input type="checkbox"/> Sch. 80 PVC Pipe <input type="checkbox"/> Sch. 40 Galvanized Steel <input type="checkbox"/> 304 Stainless Steel <input type="checkbox"/> Other _____
Inlet Fitting(s)	Size: _____ Type: _____ Qty.: _____ <input type="checkbox"/> Shipped loose
Lift-Out System	Discharge Size: _____ <input type="checkbox"/> No Lift-Out System
Lifting Mechanism	<input type="checkbox"/> 304 Stainless Steel Chain <input type="checkbox"/> Stainless Steel Cable
Guide Rail Type	<input type="checkbox"/> 304 Stainless Steel <input type="checkbox"/> Sch. 40 Galvanized Steel
Aluminum Hatch Cover Rating	<input type="checkbox"/> 300 lbs. per sq. ft. <input type="checkbox"/> H20 Load Rated <input type="checkbox"/> Other

SPECIFY WITH CONFIDENCE, SPECIFY PENN PUMP SYSTEMS